

ParaSolar

Your eco-friendly companion for endless energy and shade!



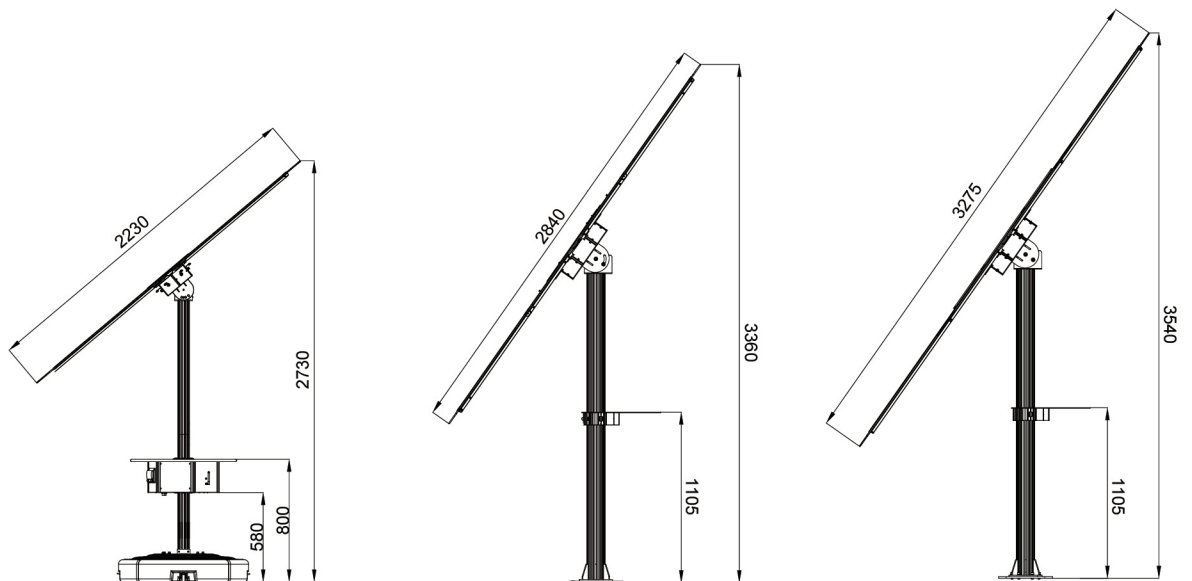
ParaSolar is a forward-thinking innovation that combines the functionality of a traditional parasol with the benefits of solar technology. Designed with the latest photovoltaic cells, **ParaSolar** converts sunlight into electricity, providing a convenient and eco-friendly charging solution anywhere.

ParaSolar not only offers a unique and convenient charging solution but also represents a step towards a more environmental lifestyle, to use the power of natural sunlight to provide you with clean energy and enrich your beautiful life.

Product Specifications

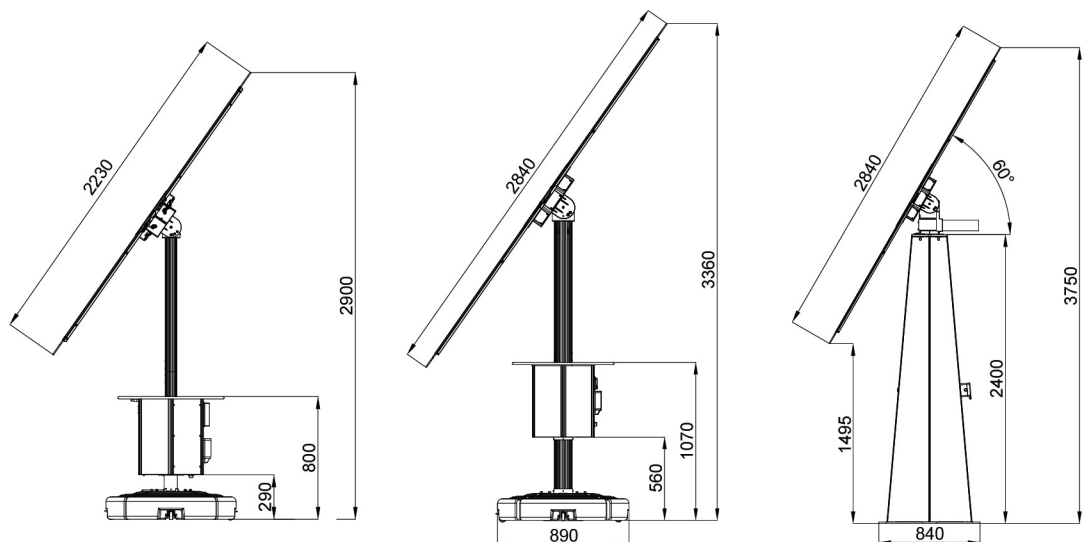


Model name	PSA600(S600-INV800-60)	PSA1000 (S1000-INV1000-60)	PSA1500 (S1400-INV1600-60)
Solar Power	600W	1000W	1400W
Weight(kg)	53	71	110
Volume(m ³)	0.71	0.78	0.83
Single Solar Panel Data			
Peak voltage (V)	15.3±3%	18.9±3%	23.6±3%
Peak current (A)	6.34±3%	6.35±3%	6.35±3%
Peak power (W)	97±3%	120±3%	150±3%
Open circuit voltage (V)	17.9±3%	22.1±3%	27.6±3%
Short circuit current (A)	6.6±3%	6.6±3%	6.6±3%
Dimensions(mm)	1144×956×2.5	1130×1069×2.5	1245×1080×2.5
Weight (kg)	3.0±0.3	4.1±0.3	4.5±0.3
Cell efficiency	>22%	>22%	>22%
System usage	6PCS	8PCS	9PCS
Micro inverter Data			
Input power	(180W-550W)×2	(180-550W)×2	(250W-650W)×4
Maximum PV input voltage	60V	60V	60V
Operating voltage range	16V-60V	16V-60V	16V-60V
MPPT voltage range	22V-50V	22V-60V	22V-50V
Maximum short-circuit current	25A	25A	25A
Maximum input current	14A×2	16A×2	20A×4
Output voltage (Vac)	230V	230V	230V
Output frequency	50Hz/60Hz	50/60Hz	50/60Hz
Maximum output power (W)	800W	1000W	1600W
Total harmonic distortion	<3%	<3%	<3%
Night power consumption(mW)	<100mW	<100mW	<100mW
Peak efficiency	96.80%	96.80%	96.00%
Ambient temperature range(°C)	-40~+65	-40~+65	-40~+65
Ingress protection	IP67	IP67	IP67
Dimensions(mm)	264×194×35.5	264×194×35.5	300×199.5×41
Weight (kg)	4.1±0.3	4.1±0.3	4.92±0.3





Model name	PSA600(S600-48V3D2K4-230V)	PSA1000(S1000-48V5D2K4-120V)	PSA1000(S1000-48V3D2K4-230V)
Single Solar Panel Data			
Peak voltage (V)	15.3±3%	18.9±3%	18.9±3%
Peak current (A)	6.34±3%	6.35±3%	6.35±3%
Peak power (W)	97±3%	120±3%	120±3%
Open circuit voltage (V)	17.9±3%	22.1±3%	22.1±3%
Short circuit current (A)	6.6±3%	6.6±3%	6.6±3%
Dimensions(mm)	1144×956×2.5	1130×1069×2.5	1130×1069×2.5
Weight (kg)	3.0±0.3	4.1±0.3	4.1±0.3
Cell efficiency	>22%	>22%	>22%
System usage	6PCS	8PCS	8PCS
Inverter Data			
Rated power	2400VA/2400W	2400VA/2400W	2400VA/2400W
Peak power (W)	4800W	4800W	4800W
AC Output	Rated voltage(Vac)	230V	120V
	Output frequency	50/60Hz	60Hz
	Output waveform	Pure sine wave	Pure sine wave
AC Input	Input voltage (Vac)	184Vac~253Vac	97Vac~120Vac
	Input frequency	50/60Hz	60Hz
PV Input	Input power	1600W	1200W
	Max open circuit voltage	100V	100V
	Operating voltage range	25~100V	15~100V
	Maximum input current	25A	25A
Battery	Rated battery voltage	48V	48V
	Battery type	Lithium/lead acid	Lithium/lead acid
	Maximum charge current	50A	50A
Efficiency	PV charge efficiency	≥ 96%	≥ 94%
	AC charge efficiency	≥ 92%	≥ 90%
	MPPT efficiency	99.90%	99.90%
Protection	Over and under voltage, overload, short circuit, over temperature protection		
Ambient temperature range(°C)	-40~+65	-40~+65	-40~+65
Ingress protection	IP65	IP65	IP65
Battery Data			
Battery type	LiFePO4 battery	LiFePO4 battery	LiFePO4 battery
Battery specification(V)	51.2V/30Ah(1536Wh)	51.2V/30Ah(1536Wh)	51.2V/30Ah(1536Wh)
Battery numbers	2	3	3
Ingress protection	IP54	IP54	IP54
Dimensions(mm)	163×159×340	163×159×340	163×159×340





Bifacial power generation
Increase power generation by 10%-20%



Modular design
Very easy to install and remove



Light weight
Combines ultra thin panel and the aluminum construction



Intelligent APP control, for
RGB light and micro-inverter



Sleek design and vibrant RGB lights
add a touch of style to any out
door settings



Waterproof and durable for
lasting performance

Stay powered up while staying cool under the sun with **Parasolar**! The high-efficiency solar panels generate clean, renewable energy, which you can access on-the-go through socket ports and reduce your carbon footprint and embrace a greener lifestyle.



Parasolar is perfect for gardens, beaches, parks, schools and more! Its vibrant colors and stylish design add fashion and functionality to any outdoor setting, creating a unique ambiance for every use. Whether it's setting the mood for a cozy evening under the stars or adding a festive vibe to a patio party, the RGB lights bring a personalized touch to any scene, making the **Parasolar** not just a practical accessory but a statement piece for your outdoor space. Experience the future of solar technology with this eco-friendly companion that offers endless energy and shade!